

**SHELL DIMENSIONS**  
**DIAMETER**  
 96" [2438mm]

**HEIGHT**  
 42.5" [1080mm]

**VOLUME**  
 @450 GI/ 1703 L

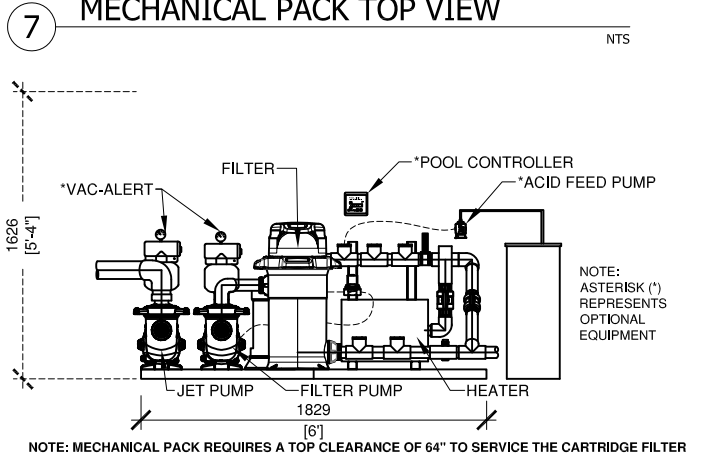
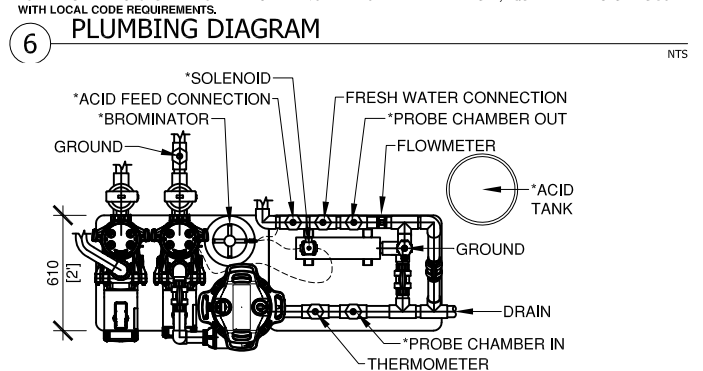
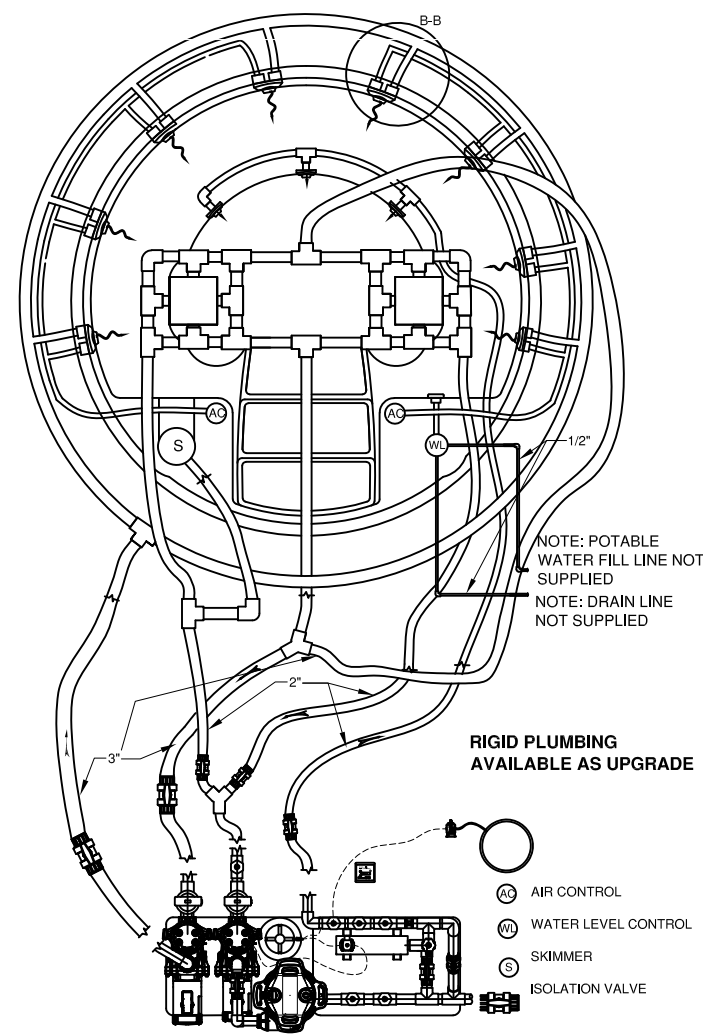
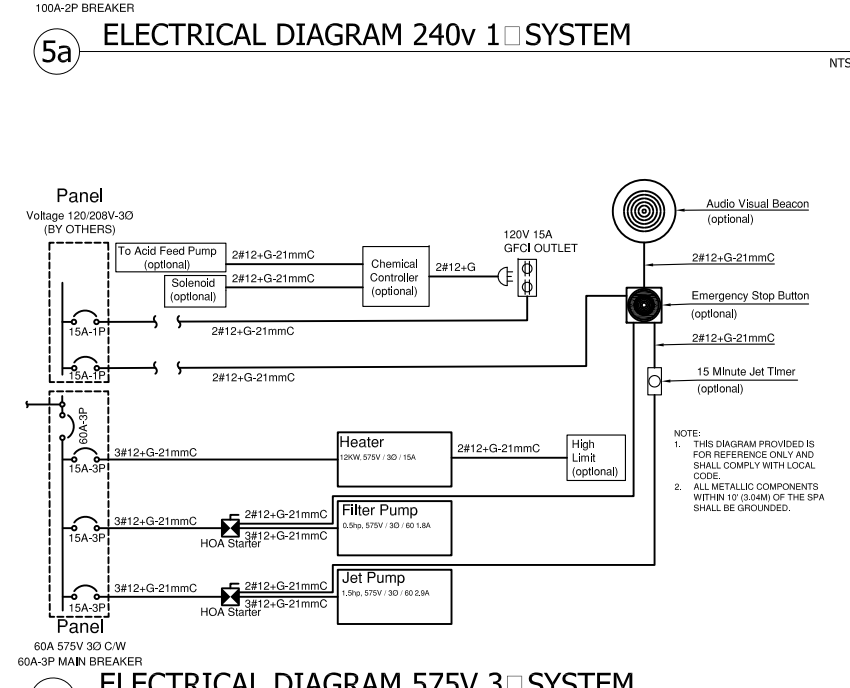
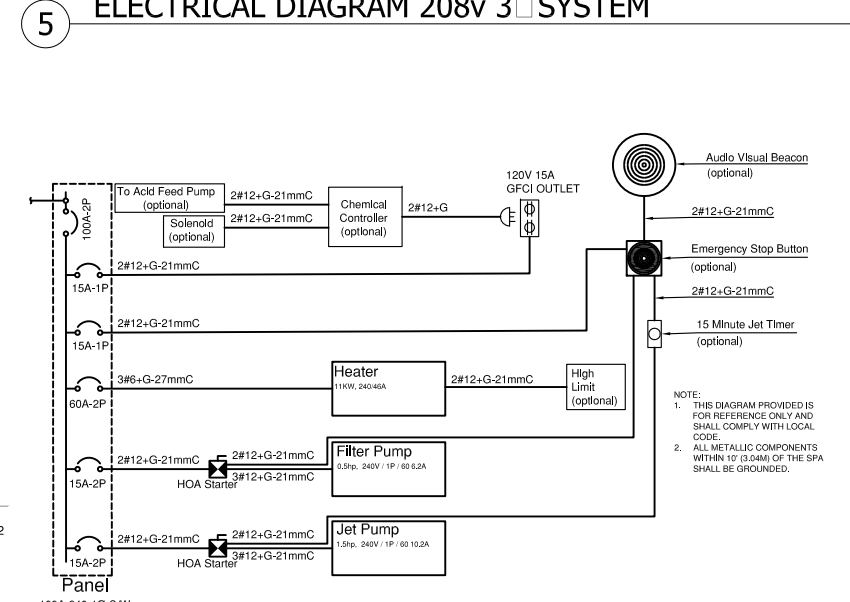
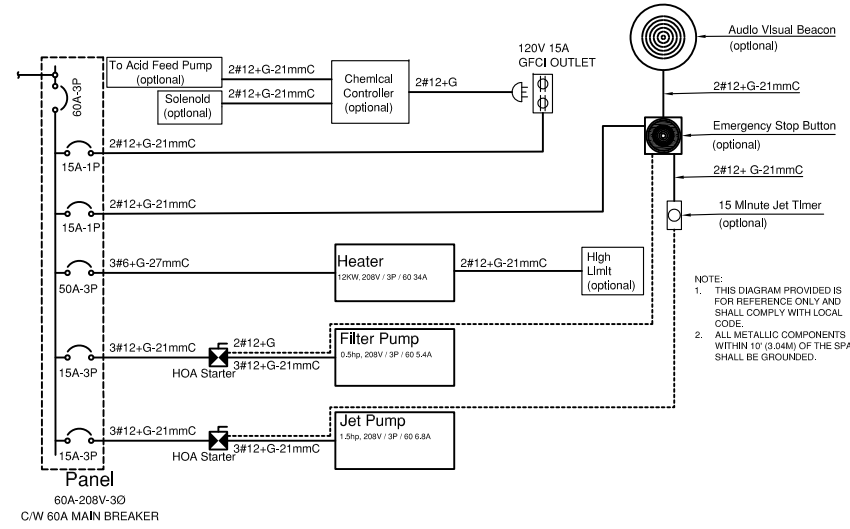
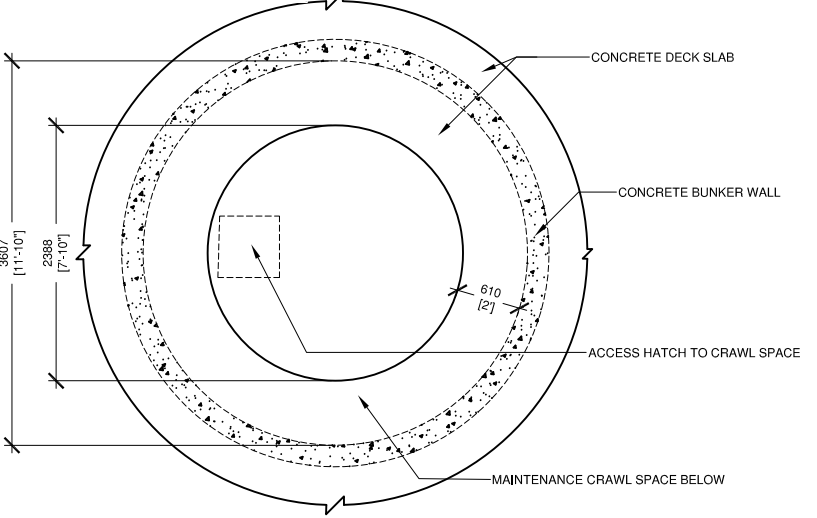
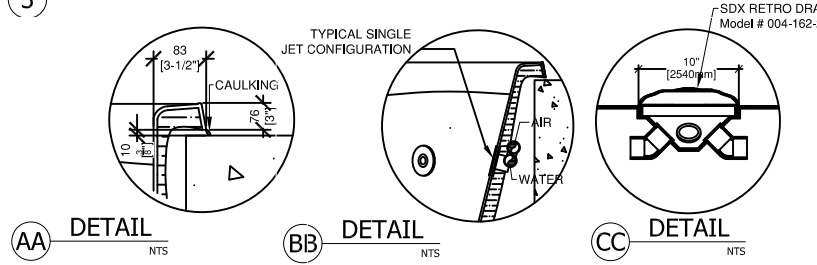
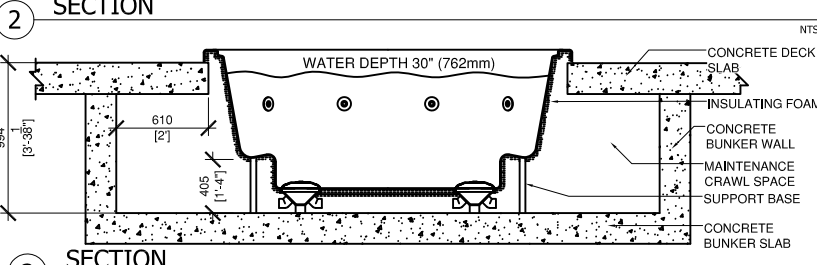
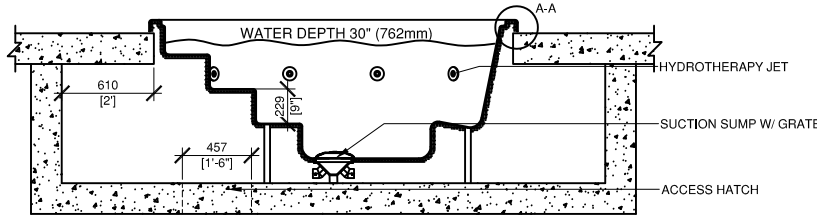
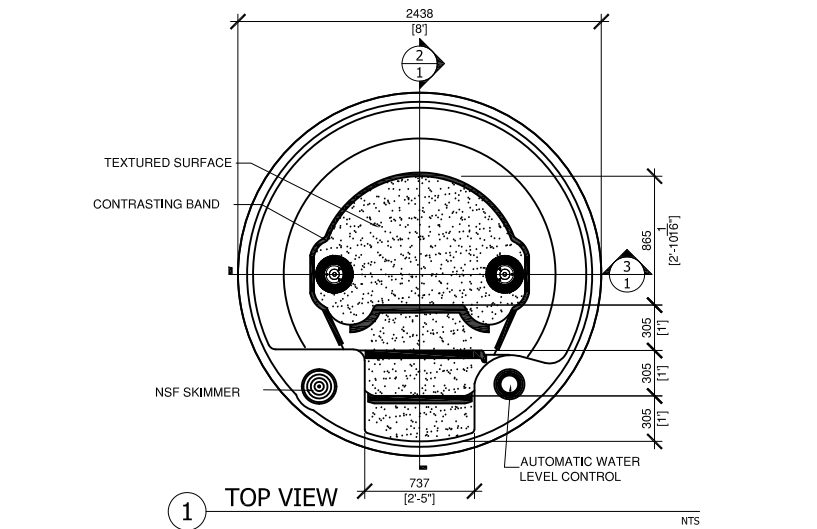
**WEIGHT EMPTY**  
 800 lbs/ 363 kg

**WEIGHT FULL**  
 4553 lbs/ 2065 kg

**SURFACE AREA**  
 44 sq.ft [4.10sq.m]

NOTE : Dimensions may differ up to 1/2" (13mm) between Spas. Exact measurements should be obtained from delivered unit.

**SPECIFICATIONS**



- The shell of the hot tub shall be manufactured of vacuum formed acrylic (.187 sheet) in POLAR WHITE. Hot tub shell overall dimensions; 96" dia. x 42.5" deep. See dimensional information on this sheet.
- The acrylic shall be further reinforced with fiberglass resins but may require additional on-site bracing supports (customer's responsibility) under the steps and seats.
- The shell shall have the following fittings:
  - 8 Large hydrotherapy jets
  - 1 Skimmer, (NSF Listed)
  - 2 Built in bottom drain sumps with removable grate
  - 2 Air control valves
  - 1 Water level tank fitting
  - 1 Water level controller
  - 3 Filtered water return inlets
- The hot tub will be insulated with a coating of polyurethane foam, factory plumbed and hydrostatically tested.
- Recommended HCSP 2 mechanical support system will be shipped on a separate plastic base and shall consist of:
  - 1 1/2hp filter pump (NSF Listed)
  - 1 150 sq.ft. cartridge filter (NSF Listed)
  - 1 1-1/2 hp hydrotherapy booster pump (NSF Listed)
  - 1 11 kW or 12 kW (if 3 phase option is selected) electric heater c/w flow switch
  - 2 Inline thermometers c/w thermowell
  - 1 Inline flow-meter
  - 1 Water level controller with overflow (located at the shell)

- Optional Items
  - Waterline Tile
  - 12V Underwater LED Light
  - External Hi-Limit Switch
  - Electronic Countdown Timer
  - Emergency Push/Pull Button
  - Audio Visual Beacon
  - Safety Vacuum Release Systems
  - Chemical Automation System
  - Substitute for Second Feed Pump and Tank
  - UV Sanitizer
  - Substitute for Sand Filter (NSF Listed)
  - Gas Heater
  - Rigid Plumbing
  - Additional R12 Insulation
  - P-Rail with Flanges
  - P-Rail with Anchors
  - Safety Cover 4"-3" Tapered Hard Cover
- Warranties shall be 5 year on the shell structure, 2 years on the acrylic surface and one year on the plumbing, labor, accessories and parts. On-site plumbing is NOT covered.
- Installation items NOT covered by this specification and considered "by others" are:
  - Plumbing services including sanitary and water to the equipment room. Plumbing between the spa shell and mechanical equipment location. Heating and ventilation in the equipment room.
  - Electrical service connections from the building services to the electrical panel(s), motor, heater and component connections including motor starters, timers, push/pull switches, A/V alarm, grounding of all electrical components and GFCI's.
  - Decking and access steps including deck drains.
  - Supports under the seats and steps of the shell.

**NOTE : All equipment UL and UL-C approved. All fittings NSF and ANSI/ASME LISTED. All submerged suction fittings are VGB Compliant.**

**HYDRAULIC DESIGN**  
 SPA VOLUME 450 usg  
 1703 Litre  
 TURNOVER 10 minutes  
 FILTER FLOW RATE  
 45 usgpm @ 50' T.D.H.  
 170.34 LPM @ 15.24 M hd  
 FILTER AREA 150 sq.ft.  
 13.94 sq.m.  
 OPERATING @.30 usgpm/sq.ft.  
 @.204 L/s/m²  
 FILTER PUMP 1/2 hp

8 HYDROTHERAPY FITTINGS  
 8 LARGE OPERATING @ 15.6 usgpm/59 Lpm  
 HYDROTHERAPY FLOW RATE  
 125 usgpm @ 50' TDH  
 473.21 LPM @ 15.24 M hd  
 HYDROTHERAPY PUMP 1-1/2 hp

TOTAL FLOW RATE  
 170 usgpm/643.5 Lpm  
 TOTAL OPEN AREA OF MAIN DRAINS  
 86.4 sq.in / 557.4 sq.cm.  
 VELOCITY THROUGH MAIN DRAINS  
 .63 ft.sec/ 0.192m. sec



THIS DRAWING AND THE IDEAS, CONCEPTS, ILLUSTRATIVE AND WRITTEN INFORMATION REPRESENTED THEREBY ARE THE PROPERTY OF HYDROTHER. REPRODUCTION OF ALL OR ANY PART OF THIS DRAWING OR PRINTS THEREOF, OR ANY OTHER UTILIZATION OF ANY CONFIDENTIAL AND PROPRIETARY PROPERTY CONTAINED HEREIN WITHOUT THE PERMISSION OF HYDROTHER IS FORBIDDEN.

No.	Date	Description

Revisions		

**HYDROTHER**  
**5170A TIMBERLEA BLVD.**  
**MISSISSAUGA, ONT.**  
**L4W 2S5**  
**1 800 891 5811**  
**WWW.HYDROTHER.COM**

Project	Hydrother
Title	H-800C
Drawn By:	ML
Scale:	NTS
Date:	Jan 2019
Ch'd By:	BRB
Job No.:	H800-19